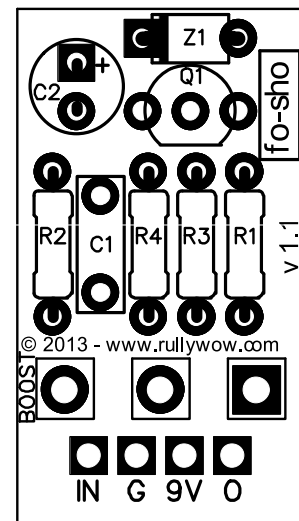
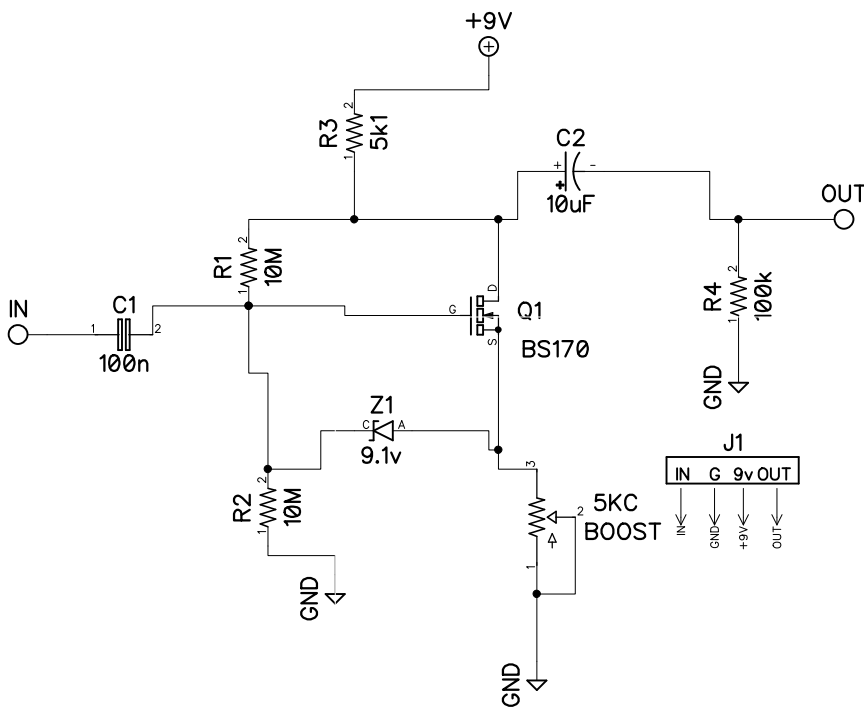


FO-SHO - BOOSTER

11/21/2013 VER 1.1

LAYOUT BY RULLYWOW

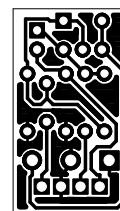
WWW.RULLYWOW.COM



Component	Value	Type
BOOST	5KC	16mm
C1	100n	Box Film
C2	10uF	Electrolytic
Q1	BS170	TO92
R1	10M	1/4w axial
R2	10M	1/4w axial
R3	5k1	1/4w axial
R4	100k	1/4w axial
Z1	9.1v	9.1v Zener

ETCHING ARTWORK

0.6" X 1.063"



NOTE: VERSION 1.0 HAD REVERSED POT