

Description:

The Voodoo Return Fuzz is inspired by the Roger Mayer “Axis Fuzz”. The concept was created in 1967 – 1968 so Jimi could have different colorations of Fuzz for his different sounds. This circuit was reportedly used on Jimi’s Band of Gypsies as well as others.

Just like Jimi, you can use your volume control to roll off some of the dirt while retaining that great fuzz character. This pedal responds very well to volume changes on your guitar. With just a **FUZZ** and **LEVEL** control, this pedal is easy to use.

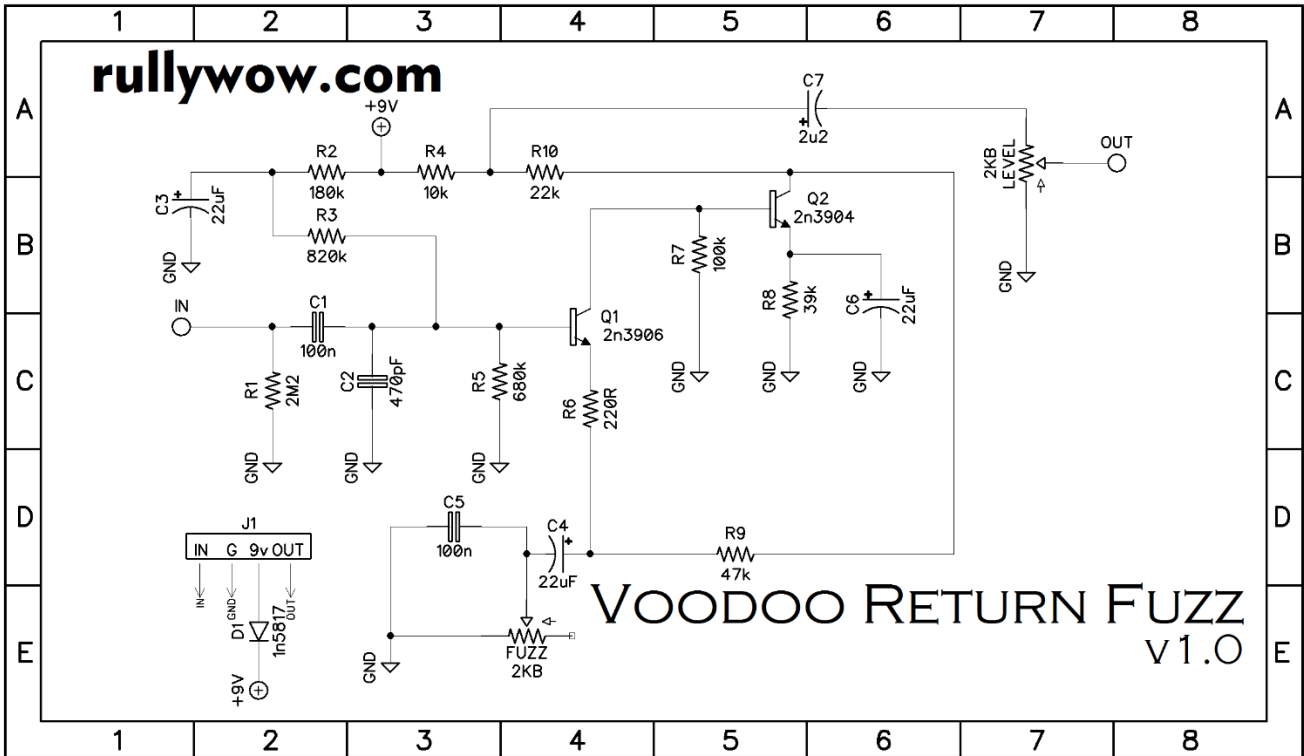
It’s suggested to use a 1590B sized enclosure for ease of building. I’m sure it’s possible to cram this in a 1590a too if you have the patience.

With the Rullywow Voodoo Return Fuzz, you can build a 60’s style fuzz easily and quickly. A great first build for newbies, and a delight for seasoned builders.

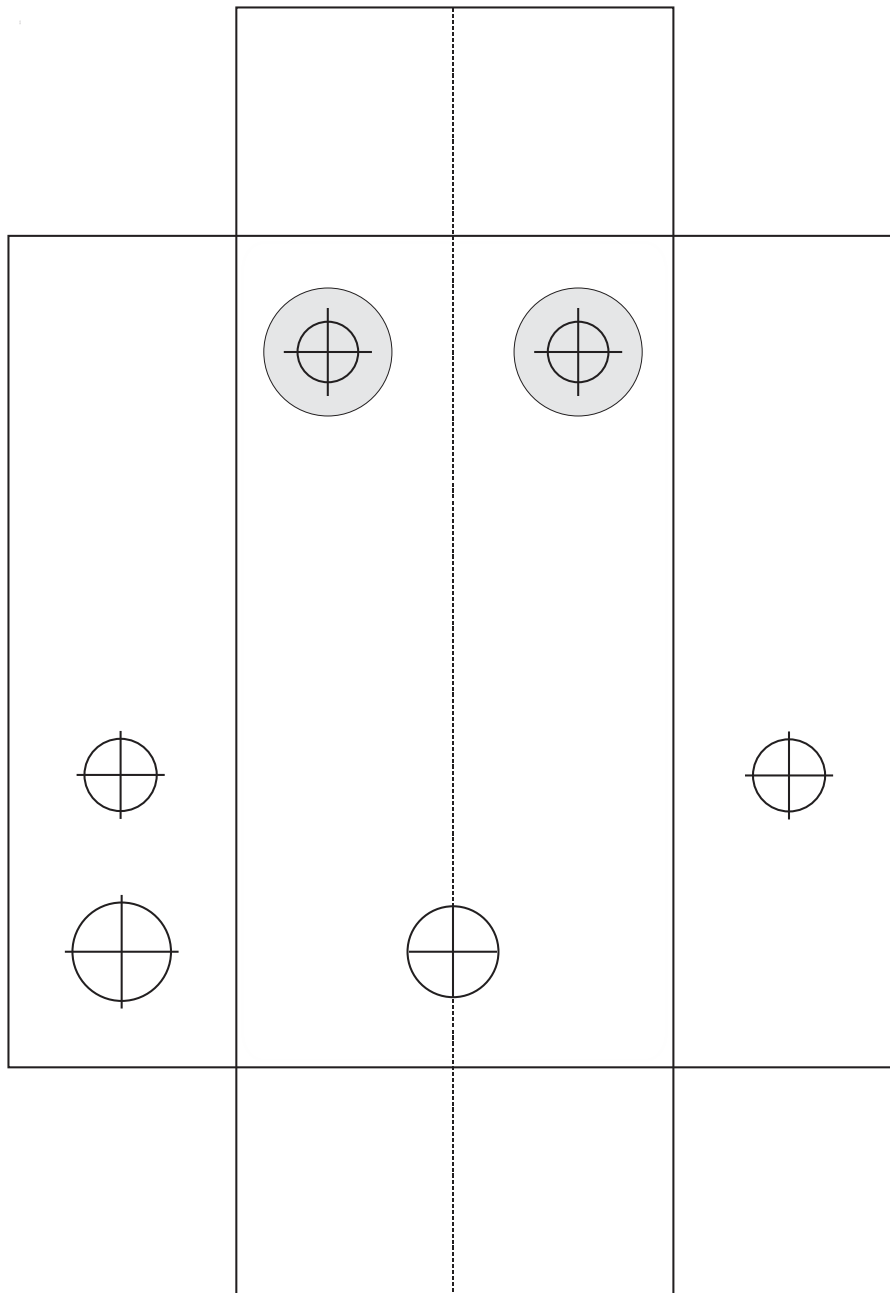
Axis Fuzz v1.0						
Caps			Diodes		Resistors	
C1	100n	film	D1	1n5817	R1	2M2
C2	470pF	ceramic	Transistors		R2	180k
C3	22uF	electrolytic	Q1	2n3906	R3	820k
C4	22uF	electrolytic	Q2	2n3904	R4	10k
C5	100n	film			R5	680k
C6	22uF	electrolytic			R6	220R
C7	2u2	electrolytic			R7	100k
					R8	39k
					R9	47k
					R10	22k
					Pots	
					FUZZ	2KB
					LEVEL	2KB

Build Tips & Tricks:

- The IN/G/9V/OUT pads are a direct match to Rullywow.com 3PDT PCBs. Pick some of these up [HERE](#) to make your stomp switch wiring EASY.
- The *MS Excel* version of the BOM is now available on the landing page. With this you can sort the list by value or make notes yourself for easier building/shopping etc.
- I prefer to solder components from shortest height to tallest. Following this, you should start with resistors, diodes, film caps, IC, and the electrolytic caps last.
- All pots are designed for 16mm Alpha Right Angle PCB mount. I normally grab these from Tayda Electronics, however Smalbear and Mammoth have these too. I always suggest to drill holes in your enclosure first, and mount the pots and switch with the nuts BEFORE soldering the pots to the PCB. This ensures you won't put a lot of stress on the PCB and everything lines up nicely.
- Be sure to insulate the pots from shorting on the back of the PCB. There are special pot covers (like from Smallbear or Mammoth) or you may use non-conductive tape or some other insulating material like cardboard etc.
- Before putting your creation into its enclosure, you should always test it! If it doesn't work outside the enclosure, it won't work inside (I promise!)



Enclosure Tip: Controls are spaced 1.3in (33mm) apart



Terms of Use:

- PCBs from www.rullywow.com are intended for DIY use and are not allowed for commercial resale. It is OK to build (and sell) a few pedals for your friends, bandmates, yourself (that is what the DIY guitar pedal community is all about!)