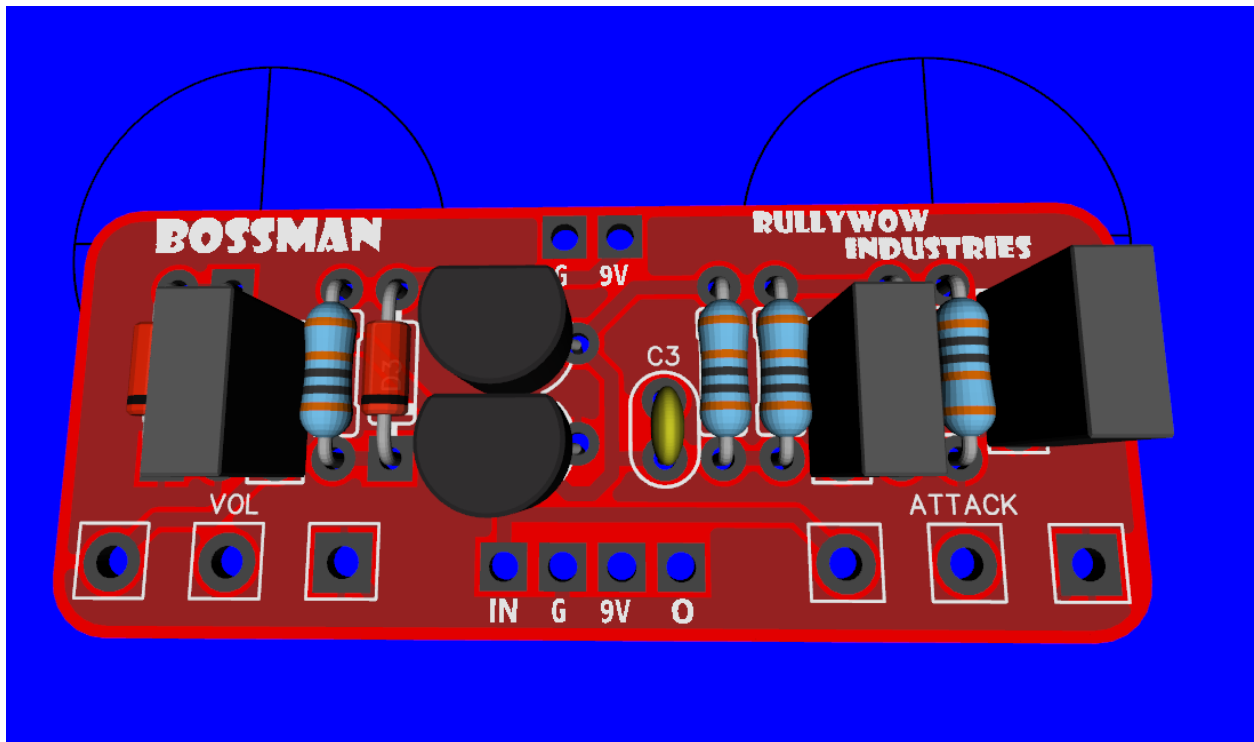
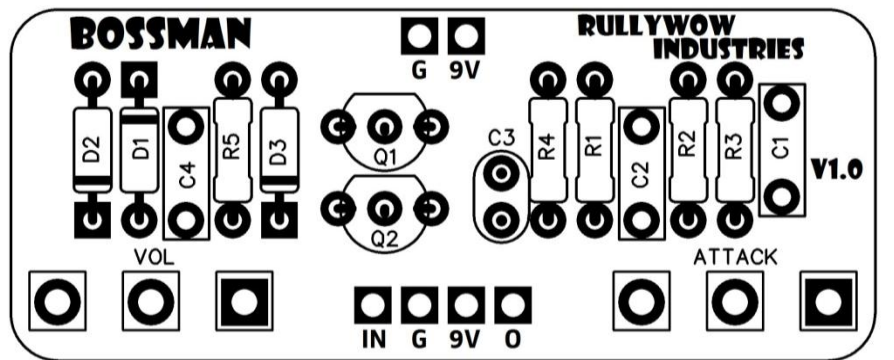


BOSSMAN

FX type: FUZZ

©2014 - www.rullywow.com



The **BOSSMAN** PCB, schematic, and build document are for DIY use only. Unauthorized copying or reselling of PCBs is strictly prohibited without express permission from www.rullywow.com

Components - By Location

Caps			Resistors		Diodes	
C1	22n	film	R1	560k	D1	1n4148
C2	22n	film	R2	560k	D2	1n4148
C3	50p	ceramic	R3	150k	D3	1n5817
C4	22n	film	R4	18k	Pots	
			R5	18k	VOL	100kA
					ATTACK	100kB
					Transistor	
					Q1 (see notes)	BC547A*
					Q2 (see notes)	BC557A*

The BOSSMAN is based upon the Jordan Bosstone™ classic fuzz. While a simple circuit at heart, that simplicity shines through with great fuzz tones.

This is an easy level build, due to the low component count and should only take you a few minutes. Most values of components are common with the exception of the 560k resistors.

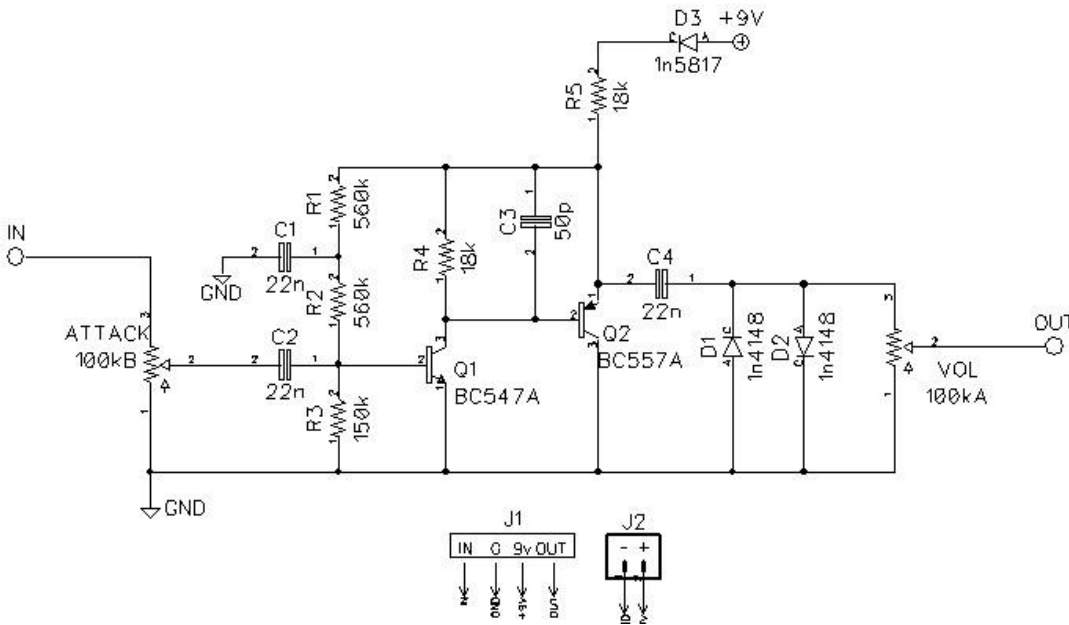
Transistors in the original are BC547 (Q1/npn) and BC557 (Q2/pnp). These may be hard to find so feel free to substitute any other complimentary pair of NPN and PNP diodes. Some have used 2N5088 (Q1) and 2N5087 (Q2). In my verified version I used 2n3904 (Q1) and 2n3906. I had to flip these backwards as the pinout is different from the original so if yours isn't working, you may have to flip one transistor or both. Socketing is HIGHLY recommended (plus it's fun!)

POT spacing is 1.25" center to center. Standard 16mm pots are used.

Powering is done with a standard 9VDC adapter. There are extra pads at the top of the board for +9V and GND if you wish to mount your power jack at the top. These pads are connected with the ones at the bottom for easy wiring if you choose to use them.

BOSSMAN v1.0

Based off schematics traced by
www.freestompboxes.org



The **BOSSMAN** PCB, schematic, and build document are for DIY use only. Unauthorized copying or reselling of PCBs is strictly prohibited without express permission from www.rullywow.com